



W20 Door Concealed Multipoint

Mainly used within the commercial sector, the W20 Door profile allows for double glazing.

SWF's expertly engineered kit contains everything you need for your window, no matter the configuration.



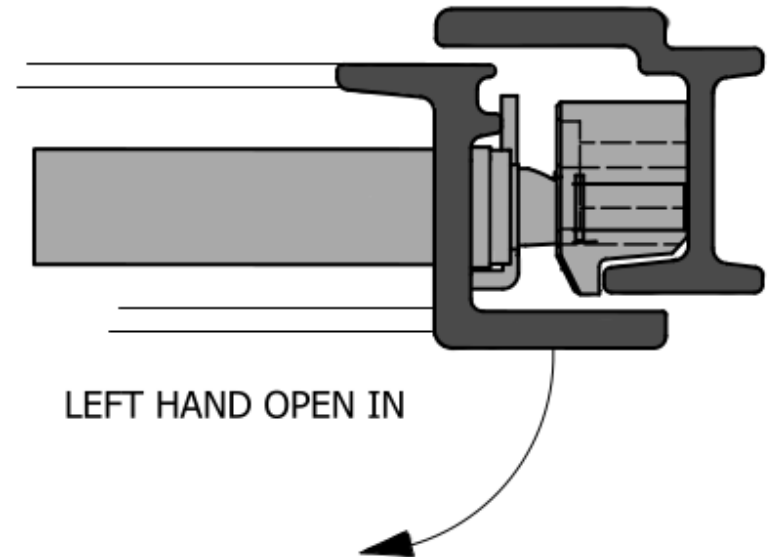
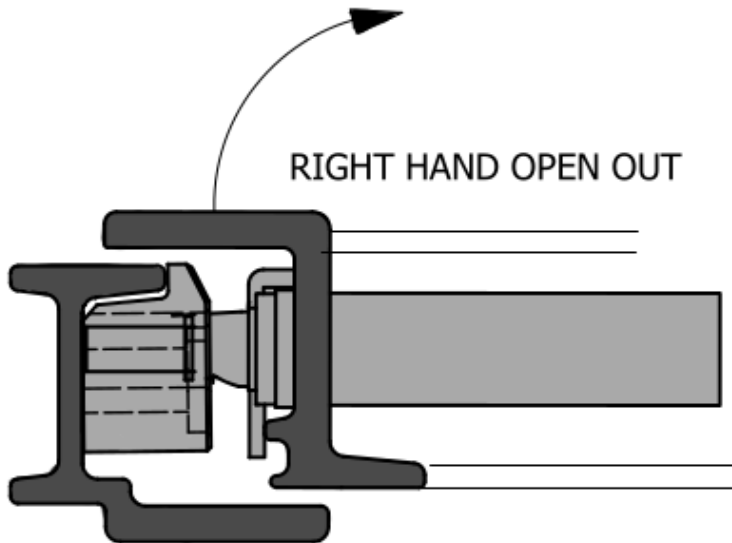


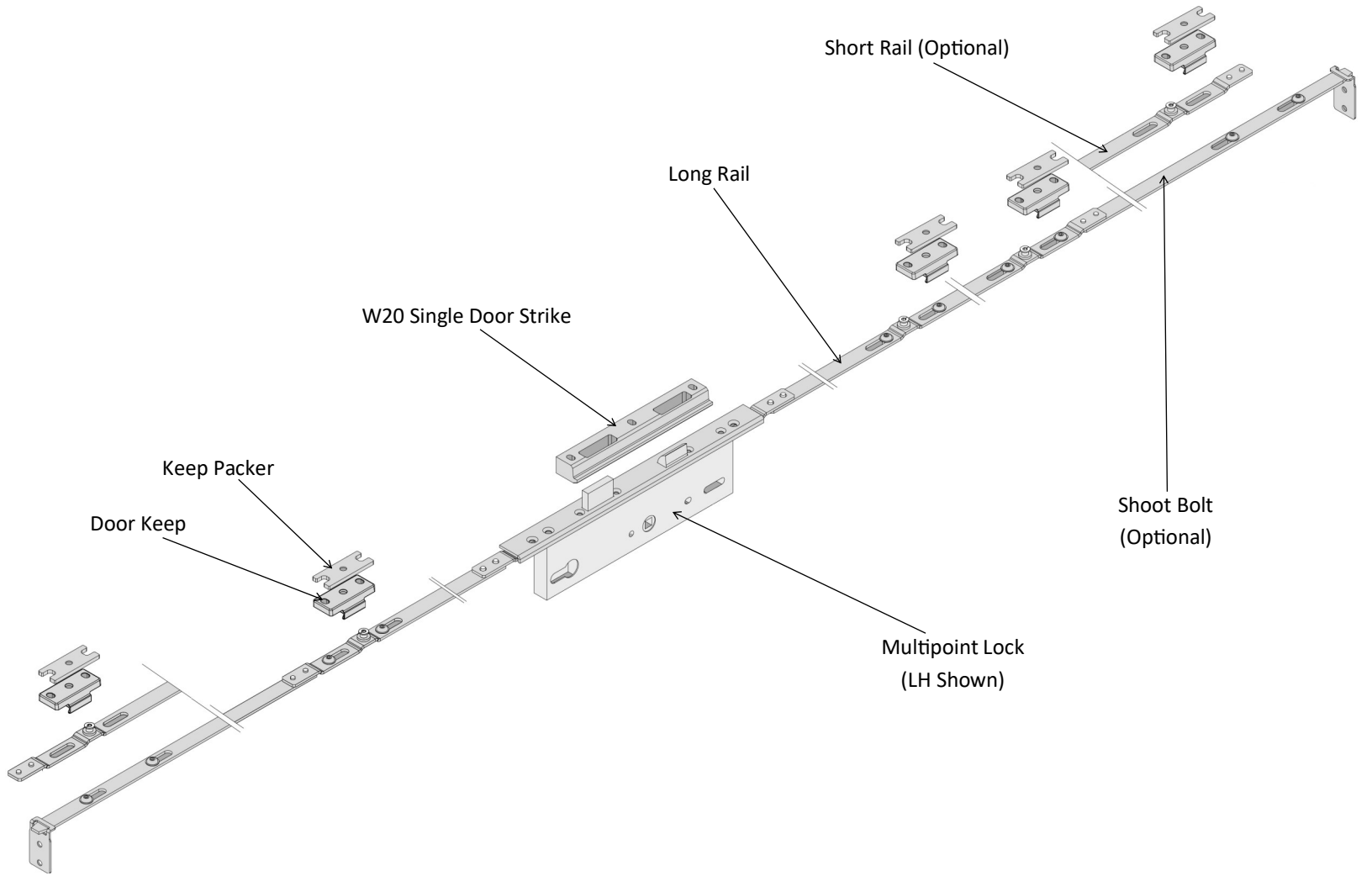
PRODUCT FEATURES & TECHNICAL INFORMATION

- Completely concealed within the window profiles.
- Consisting of Stainless Steel rails fitted with security Mushrooms, Keeps and connecting handle Block.
- Designed to Operate with one of our many options of "MP" multipoint drive blade handles.
- Window options for Open-In, Open-Out, Inside and outside Glazing.

W20 - MultiPoint Concealed Door Locking System

Single Door Right-Hand Configuration

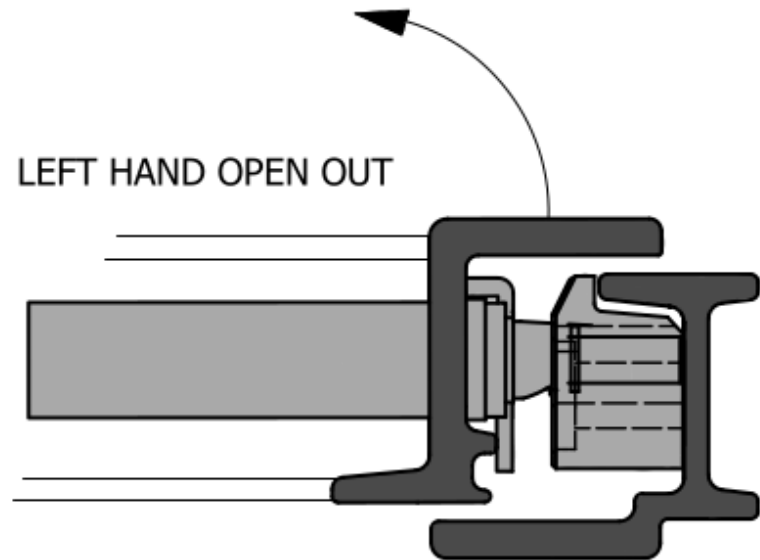
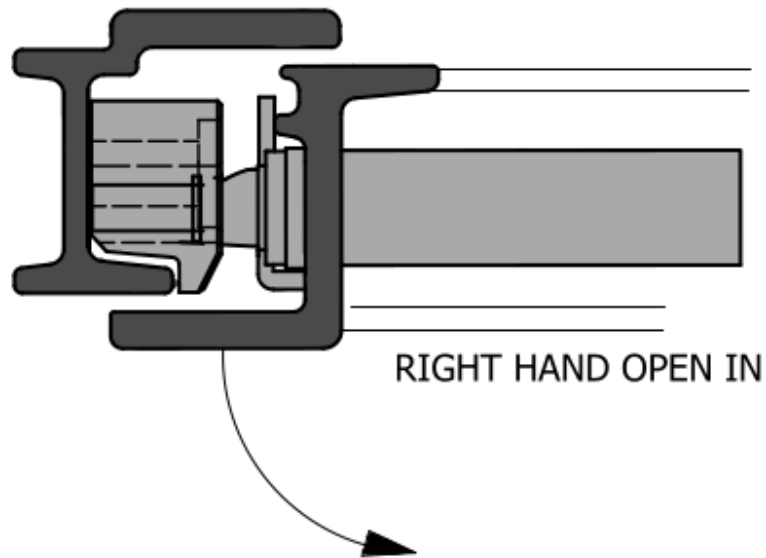


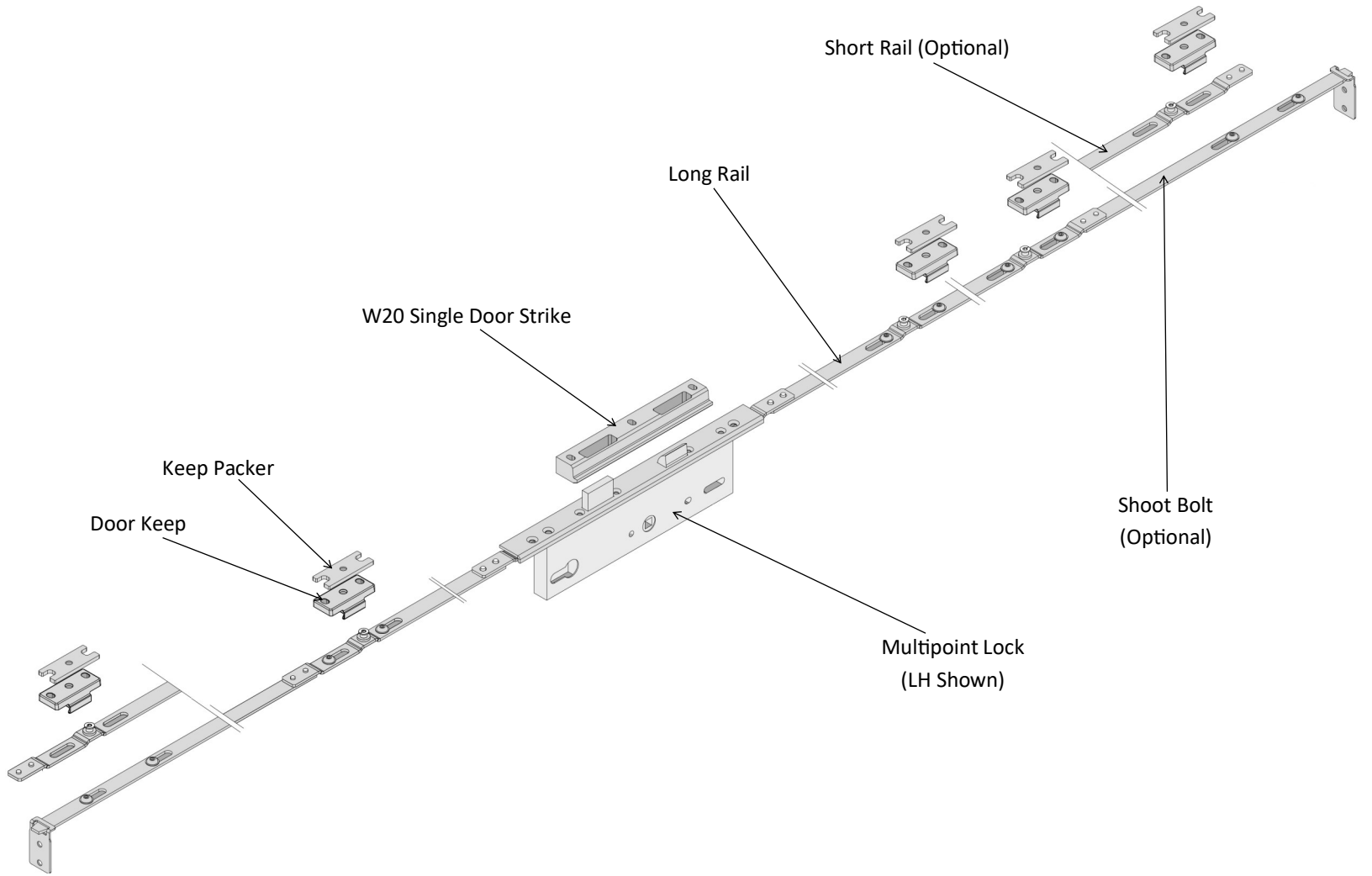




W20 - MultiPoint Concealed Door Locking System

Single Door Left-Hand Configuration





Short Rail (Optional)

Long Rail

W20 Single Door Strike

Shoot Bolt (Optional)

Multipoint Lock (LH Shown)

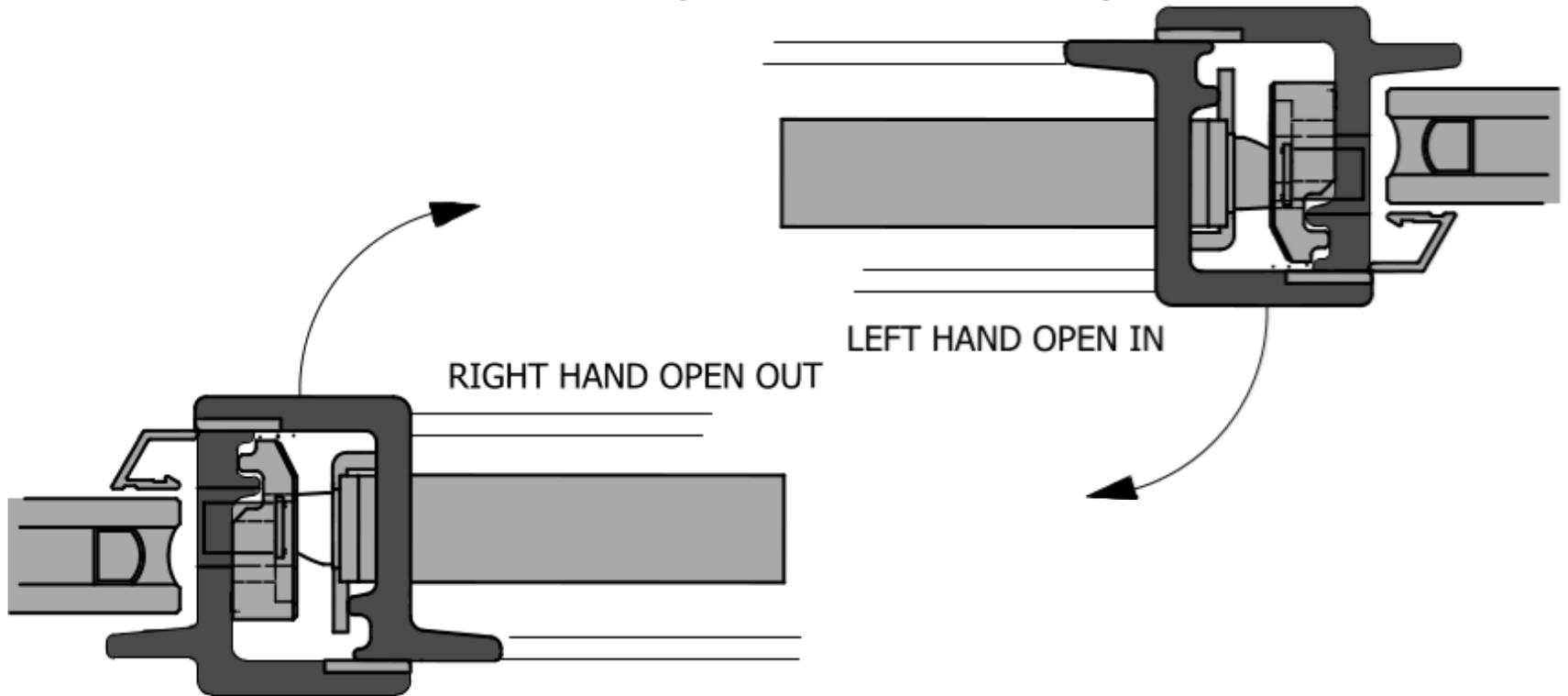
Keep Packer

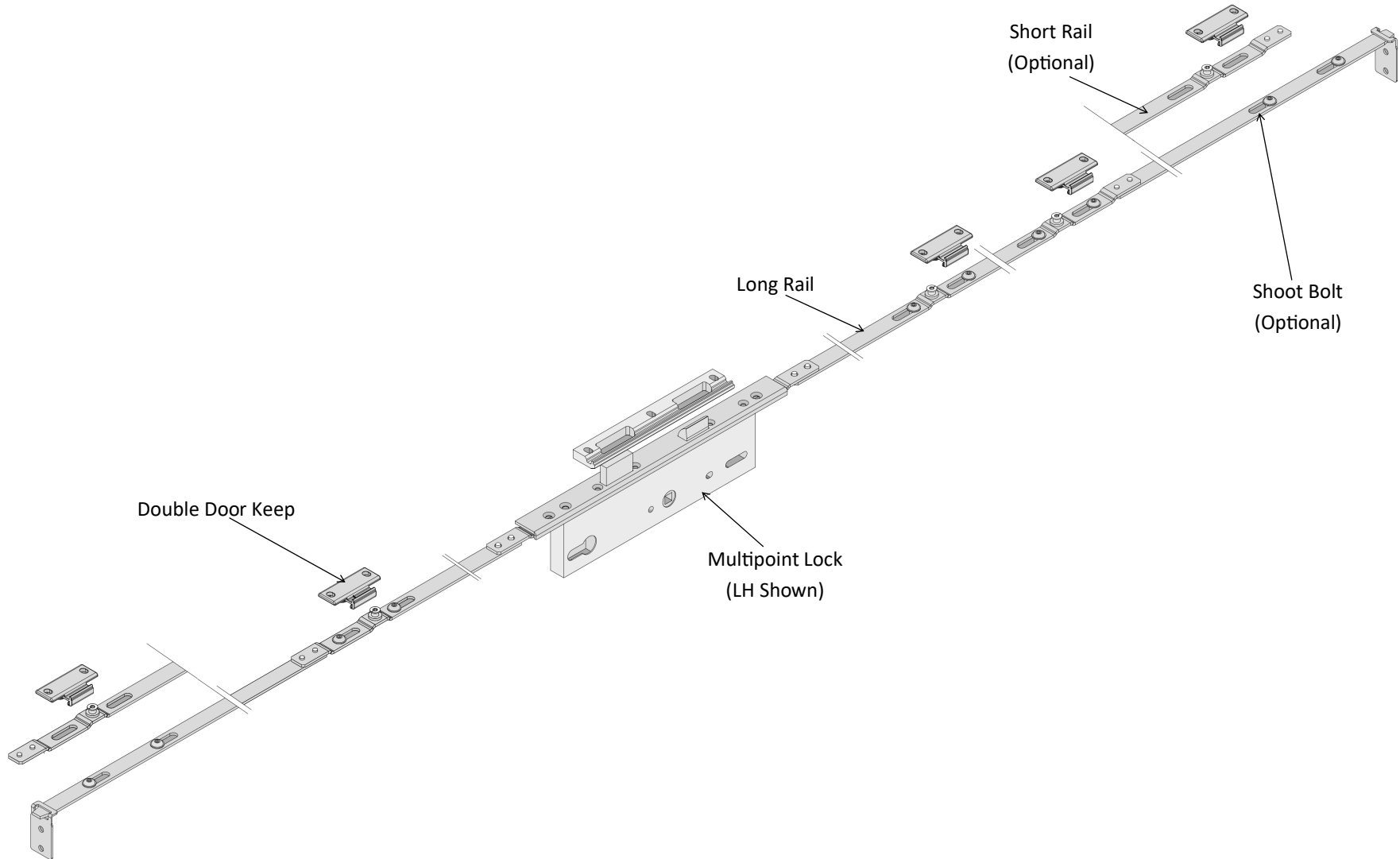
Door Keep



W20 - MultiPoint Concealed Door Locking System

Double Door Right-Hand Configuration





Short Rail
(Optional)

Long Rail

Shoot Bolt
(Optional)

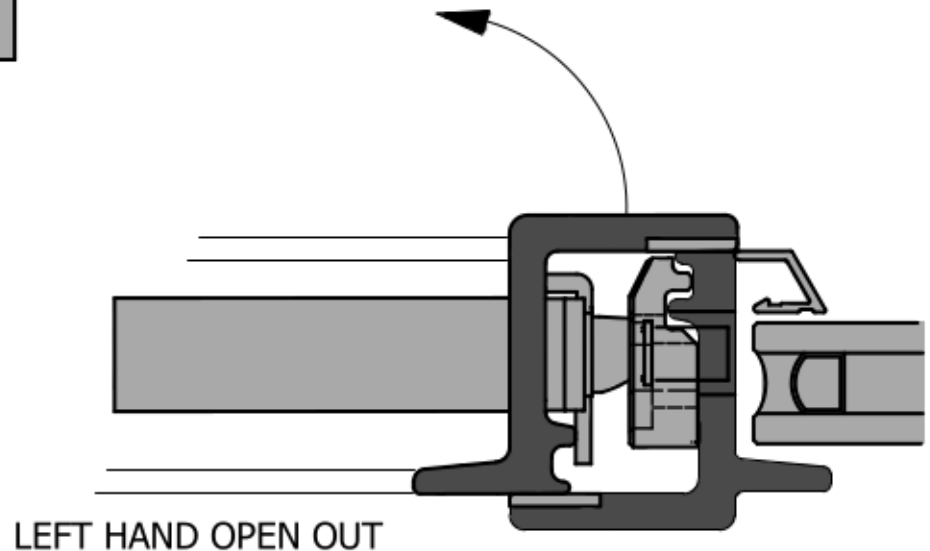
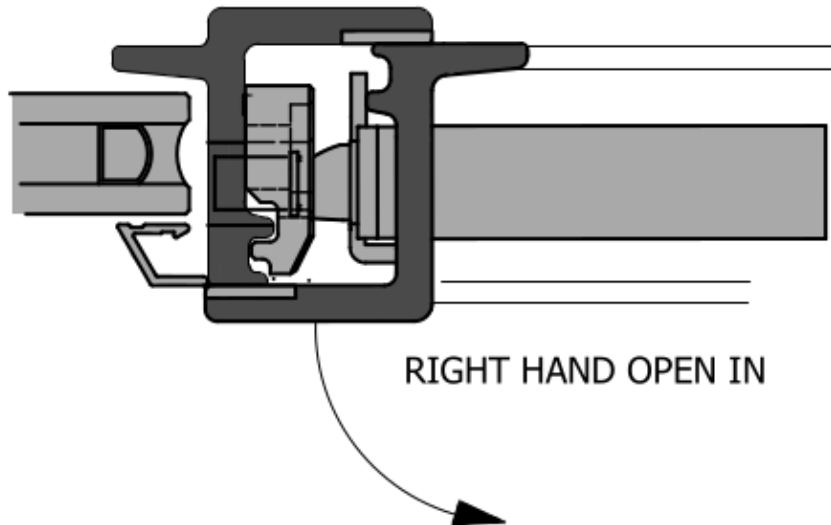
Double Door Keep

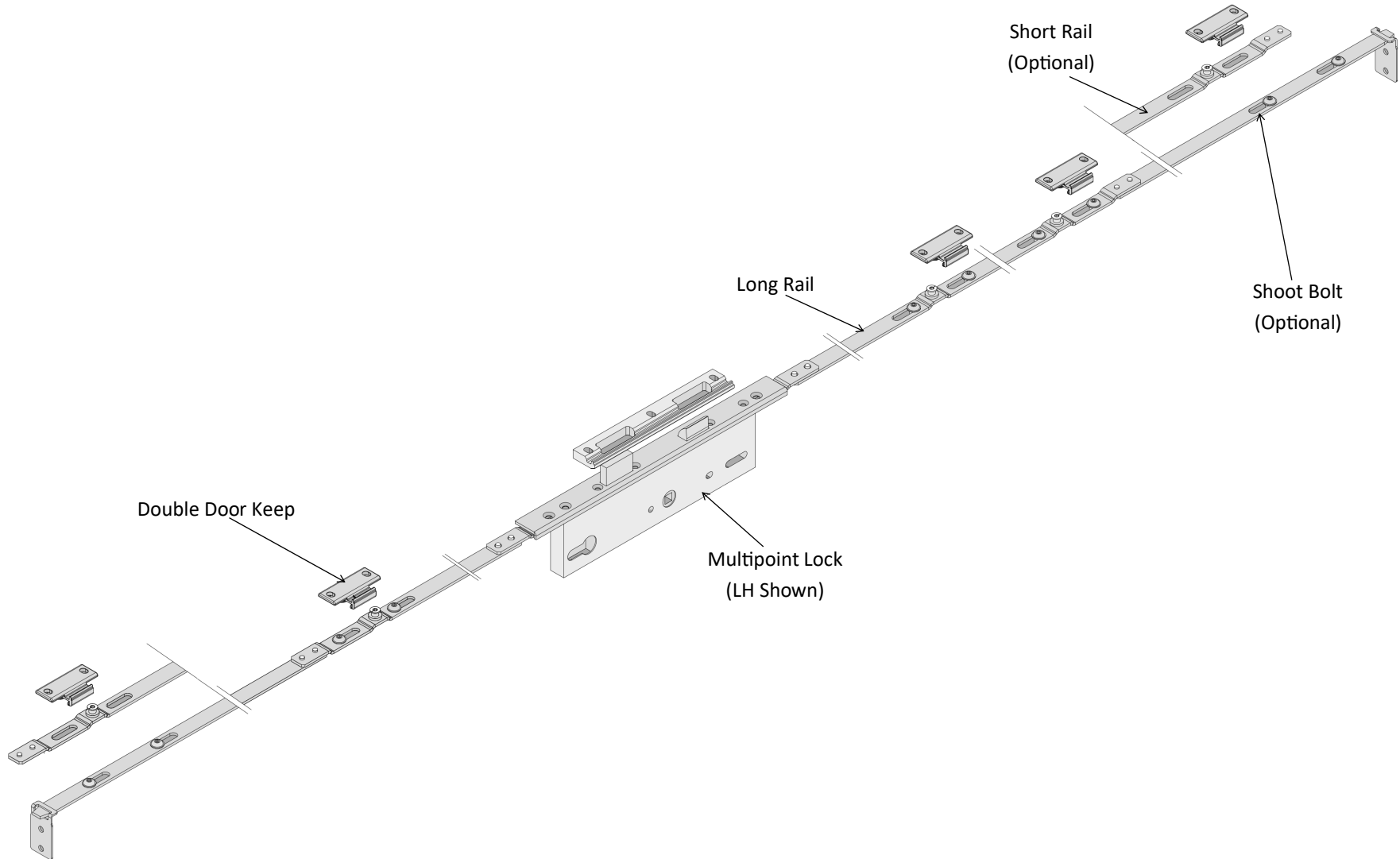
Multipoint Lock
(LH Shown)



W20 - MultiPoint Concealed Door Locking System

Double Door Left-Hand Configuration





Short Rail
(Optional)

Long Rail

Shoot Bolt
(Optional)

Double Door Keep

Multipoint Lock
(LH Shown)